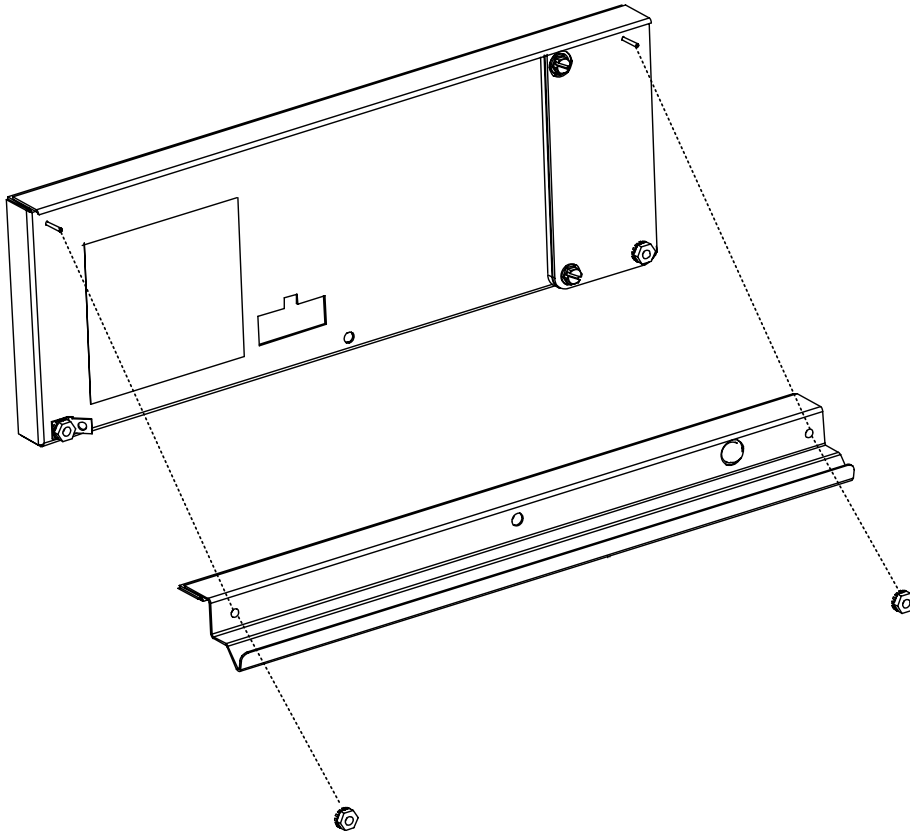


## Kit 826-2607 Instructions

### Installation of M2000 SMT Oil Deflector

Follow these steps to install the M2000 SMT oil deflector.

1. Remove the bezel.
2. Remove the screws attaching the computer to the frame.
3. Lower the computer.
4. Remove the two nuts from the top corner studs on the rear of the computer.
5. Attach the oil deflector as shown in the illustration and reassemble in reverse order.



**Figure 1** Attaching the oil deflector.